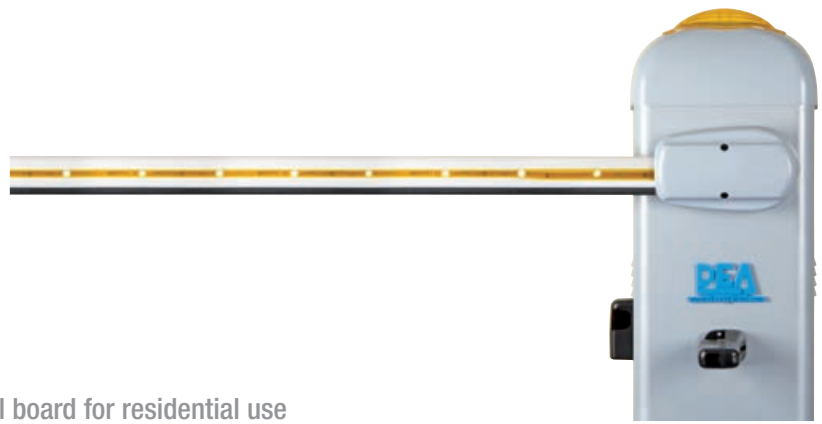


PASS

Electromechanical barrier



NET230N 230V a.c. barriers with control board for residential use

COD.	Art.	EN	Icon	Icon	Icon	Icon	OTHER CHARACTERISTICS
644031	PASSNET/L	EN 12453 EN 12445	4 and 5 mt slow	•	NET230N	•	<ul style="list-style-type: none"> - Speed adjustment during normal cycle and slow down in opening and closing - Motor controlled by encoder and obstacle detection - Possibility to lock the programming to prevent tampering

230V a.c. barriers without control board for residential use to install 2 opposite barriers

COD.	Art.	Icon	Icon	Icon	OTHER CHARACTERISTICS
644003	PASS/SL	4 and 5 mt slow	•	•	- To be combined with PASSNET/L

All models have: flashing lights, boom, boom holder and foundation plate not included (see on page 102) - stainless steel version: available on demand
Warning: Proper functioning of this model is guaranteed with perfect balance of the spring and adjustment of slow down

NET24N 24V d.c. barriers with control board for semi-intensive use

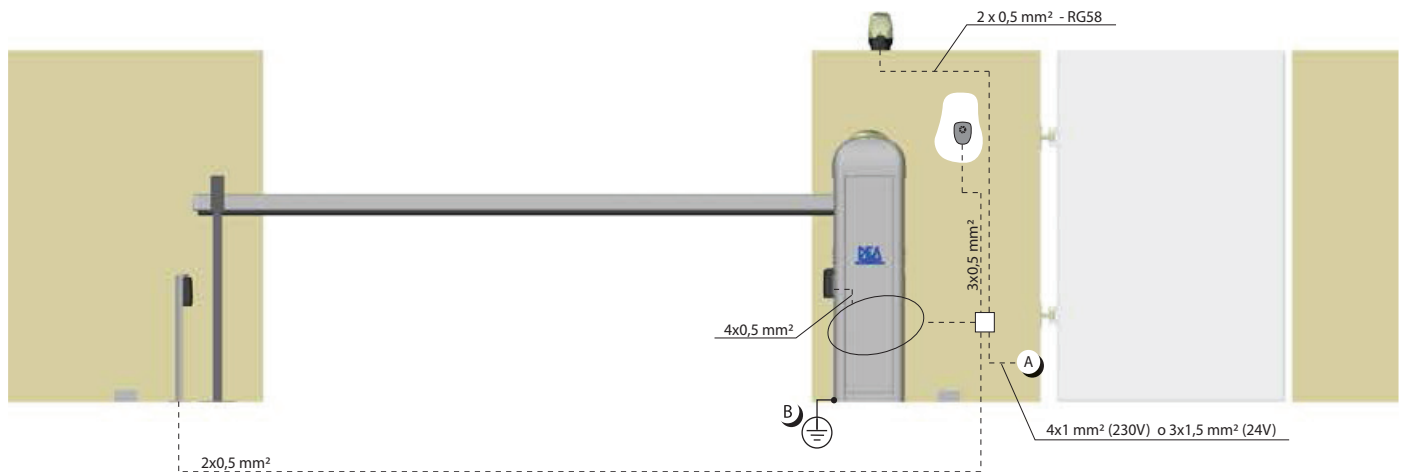
COD.	Art.	EN	Icon	Icon	Icon	Icon	OTHER CHARACTERISTICS
644020	PASS24NET/V	EN 12453 EN 12445	3 mt fast	••	NET24N	•	- Speed adjustment during normal cycle and slow down in opening and closing
644022	PASS24NET/VR	EN 12453 EN 12445	4 mt fast	••	NET24N	•	- Motor control by encoder
644021	PASS24NET/L	EN 12453 EN 12445	4 and 5 mt slow	••	NET24N	•	- Possibility to lock the programming to prevent tampering

24V a.c. barriers without control board for semi-intensive use to install 2 opposite barriers

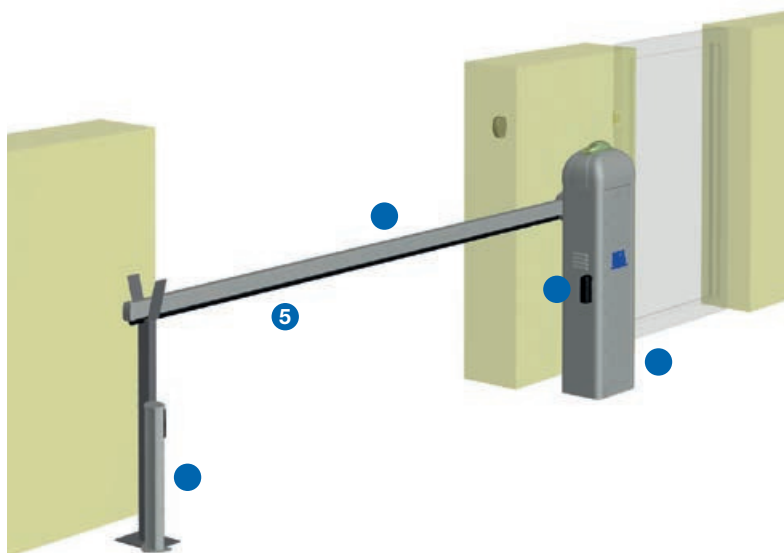
COD.	Art.	Icon	Icon	Icon	OTHER CHARACTERISTICS
644012	PASS24/SV	3 mt fast	••	•	- To be combined with PASS24NET/V
644019	PASS24/SVR	4 mt fast	••	•	- To be combined with PASS24NET/VR
644013	PASS24/SL	4 and 5 mt slow	••	•	- To be combined with PASS24NET/L

All models have: flashing lights, boom, boom holder and foundation plate not included (see on page 102) - stainless steel version: available on demand
Warning: Proper functioning of this model is guaranteed with perfect balance of the spring and adjustment of slow down

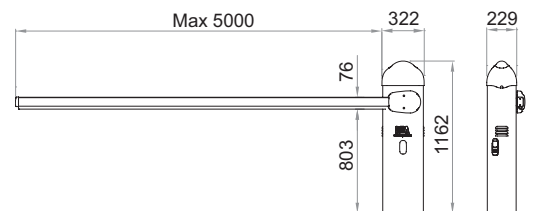
TECHNICAL INFO	PASSNET/L PASS/SL	PASS24NET/V PASS24/SV	PASS24NET/L PASS24/SL	PASS24NET/VR
Motor power supply (V)	230 AC ± 10 % (50/60 Hz)	24 DC	24 DC	24 DC
Maximum power absorption (W)	320	105	105	105
Type of boom		Refer to "Boom Length" table of instructions manual		
Duty cycle (cycles/hours)	80	290	140	240
N. max cycles in 24h.	400	1150	700	960
Built-in capacitor (µF)	8	/	/	/
Operating temperature (°C)	-20 ÷ 50	-20 ÷ 50	-20 ÷ 50	-20 ÷ 50
Motor thermal protection (°C)	150	/	/	/
90° Opening time (s)	7,3	2,2	6	2,8
Weight with packing (Kg)	42	41	41	41
Protection degree	IP34	IP34	IP34	IP34



EXAMPLE OF A TYPICAL INSTALLATION



DIMENSIONS



<p>1</p> <p>Cod. 644030 Art. PASSNET/V Electromechanical barrier (without foundation plate)</p>	<p>Cod. 649073 Art. PASS/B Foundation plate</p>	<p>Cod. 649140 Art. PASS3 DEA rectangular painted boom mm. 300x65x38, with fluorescent red stickers art. 1012</p>
<p>Cod. 381744 Art. OMPASS Boom holder for DEA rectangular booms art. PASS3 and PASS4</p>	<p>Cod. 649180 Art. CLED230 Flashing light circuit, 230V, to be installed under the cover or into barriers cabinet</p>	<p>Cod. 649160 Art. BSF Bracket for Linear photocells</p>
<p>Cod. 662044 Art. LINEAR Pair of adjustable photocells (180°) with possibility of synchronized operating. Range 20 Mt</p>	<p>Cod. 664000 Art. PILLY/60 Pair of aluminium columns for photocells, height 55 cm.</p>	<p>Cod. 672580 Art. TR2 Remote control Black version art. TR2N also available (page 118)</p>
<p>5</p> <p>Cod. 321810 Art. GSOFTP Safety rubber profile for STOP and PASS, EDPM S65, 24 mt.</p>	<p>Cod. 668010 Art. 127 Warning sign</p>	

SPECIFIC ACCESSORIES



Cod. 649181
Art. CLED24

Flashing light circuit, 24V, to be installed under the cover or into barriers cabinet



Cod. 649180
Art. CLED230

Flashing light circuit, 230V, to be installed under the cover or into barriers cabinet



Cod. 649172
Art. LEDPASS

Led Strip + Feeder for booms PASS3 and PASS4 (4 mt. long)



Cod. 649140
Art. PASS3

DEA rectangular painted boom mm. 300x65x38, with fluorescent red stickers art. 1012



Cod. 649141
Art. PASS4

DEA rectangular painted boom mm. 400x65x38, with fluorescent red stickers art. 1012



Cod. 381744
Art. OMPASS

Boom holder for DEA rectangular booms art. PASS3 and PASS4



Cod. 649240
Art. PASS5

DEA rectangular painted lightweight boom mm. 500x60x40, without fluorescent stickers. To be used with PASSNET/L, PASS/SL, PASS24NET/L, PASS24/SL ONLY



Cod. 649250
Art. OMPASS5

Boom holder for DEA rectangular booms art. PASS5



Cod. 381741
Art. OMPASS60

Boom holder for commercial rectangular booms 60x30mm

Not compatible with other accessories or with the front plastic cover of the boom holder



Cod. 649000
Art. 1006

Mobile boom support



Cod. 649020
Art. 1010

Adjustable fixed boom support



Cod. 649021
Art. 1010/M

Adjustable fixed boom support with magnet



Cod. 667061
Art. LOOP 230/1

Loop detector, 1 channel



Cod. 667071
Art. LOOP 230/2

Loop detector, 2 channels



Cod. 681030
Art. SMF230/2

Lamp traffic light with red-green lights



Cod. 649073
Art. PASS/B

Foundation plate



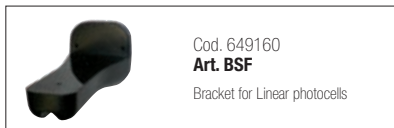
Cod. 321810
Art. GSOFTP

Safety rubber profile for STOP and PASS, EDPM S65, 24 mt.



Cod. 101004
Art. 1012

Fluorescent red stickers



Cod. 649160
Art. BSF

Bracket for Linear photocells



Cod. 649200
Art. BAT/PASS

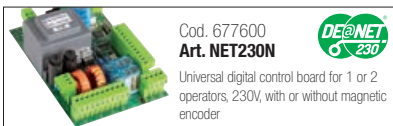
Batteries set for PASS barriers complete with 2 x 4.5Ah batteries, fixing plates and connecting cables

OTHER ACCESSORIES



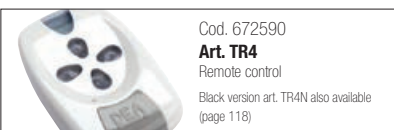
Cod. 678251
Art. NET24N

Universal digital control board for 1 or 2 operators, 24V, with or without magnetic encoder



Cod. 677600
Art. NET230N

Universal digital control board for 1 or 2 operators, 230V, with or without magnetic encoder



Cod. 672590
Art. TR4

Remote control
Black version art. TR4N also available (page 118)



Cod. 662044
Art. LINEAR

Pair of adjustable photocells (180°) with possibility of synchronized operating. Range 20 Mt



Cod. 672580
Art. TR2

Remote control
Black version art. TR2N also available (page 118)



Cod. 681060
Art. COVER

Vandal-proof aluminium cover for art. LINEAR and LINEAR/B



Cod. 663030
Art. 102LUX

Keyswitch with two contacts, flush mounted. Supplied with 2 keys.



Cod. 662043
Art. LINEAR/B

Pair of adjustable photocells (180°) with tx supplied by a LiOn battery. Range 7/15 Mt



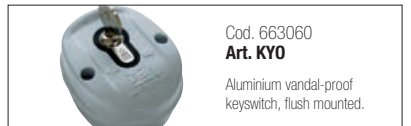
Cod. 663280
Art. DIGIRAD

Wireless keypad



Cod. 663270
Art. DIGINET

Hardwired keypad for BUS connections to MASTER devices of range DE@NET (NET24N, NET230N, MASTERNET)



Cod. 663060
Art. KYO

Aluminium vandal-proof keyswitch, flush mounted.



Cod. 664000
Art. PILLY/60

Pair of aluminium columns for photocells, height 55 cm.



Cod. 664010
Art. PILLY/120

Pair of aluminium columns for photocells, height 100 cm.



Cod. 664020
Art. PILLY/base

Pair of fixing plates for columns to be cemented.